



Post & Rail Fences by The Wood Project

Our Post & Rail fences are 100% sustainable; we source and salvage local Victorian Cypress which would otherwise be wasted and chipped away.

We have four variations of our Post & Rail Fences, each of the size options are outlined here. If you have any questions, feel free to get in touch!

Call 0425 823 402 or email
info@thewoodproject.com.au

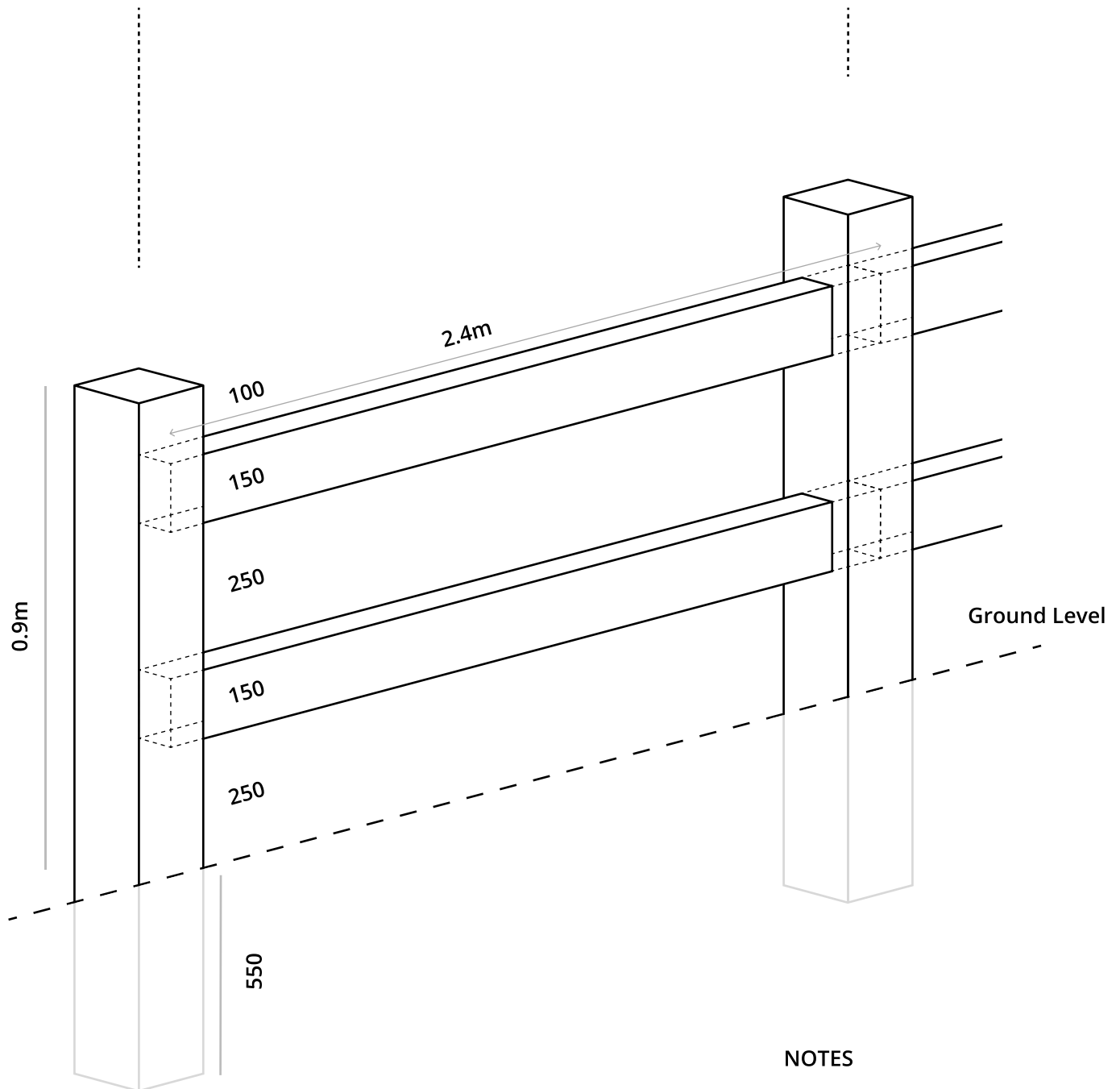
**"LITTLE RIPPER"
2 RAIL OPTIONS**

"LITTLE RIPPER 0.9"

2 RAIL with 150 X 50 RAILS

End and corner posts
150 x 150 x 1.45m

Intermediate posts
150 x 150 x 1.45m



NOTES

This diagram is not to scale.
Measurements are in mm
unless otherwise indicated.

Gate posts supplied at 2.2m,
1m in ground.

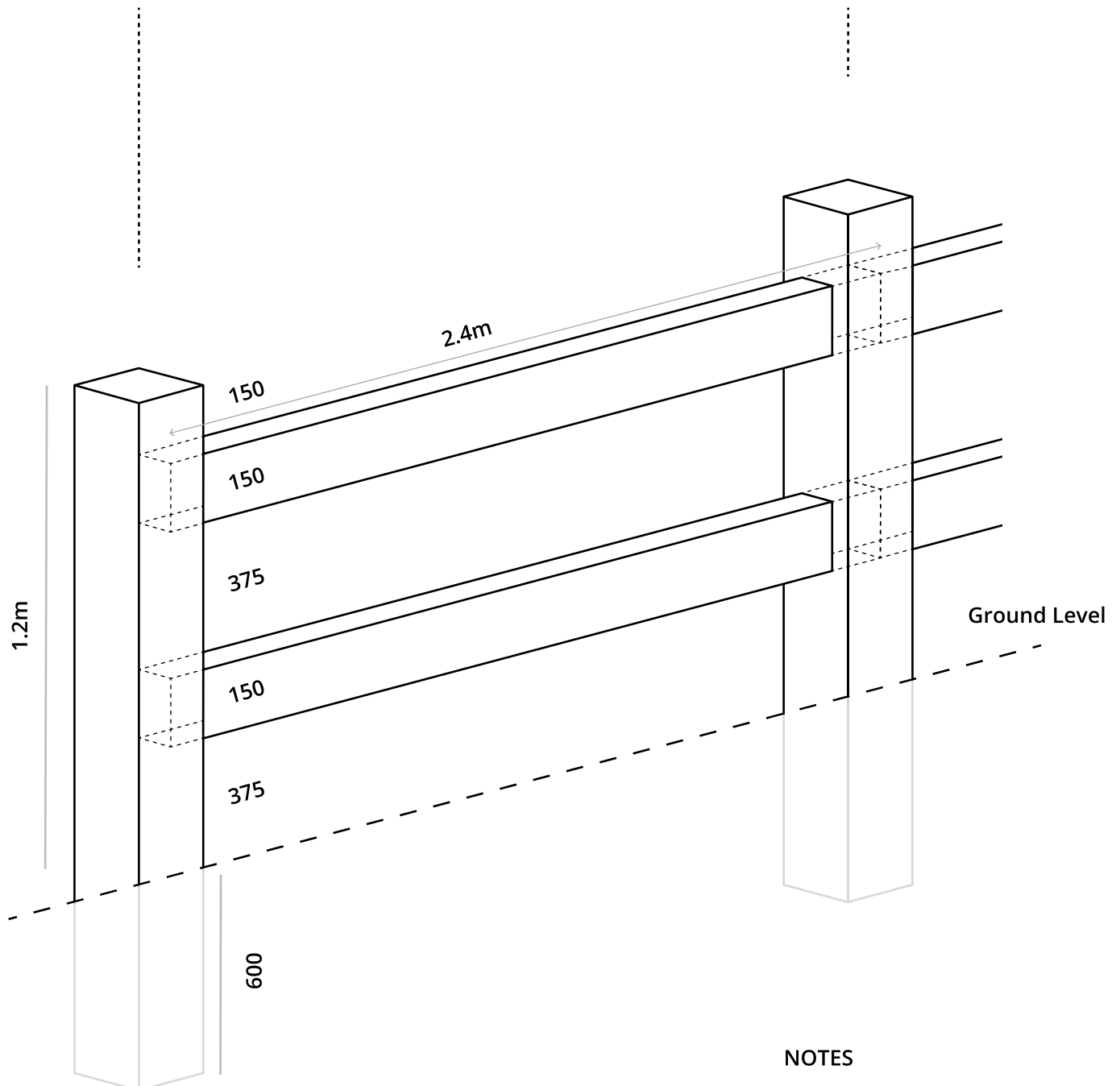
**“STREET APPEAL”
2 & 3 RAIL OPTIONS**

"STREET APPEAL"

2 RAIL with 150 X 50 RAILS

End and corner posts
200 x 200 x 1.8m

Intermediate posts
200 x 150 x 1.8m



NOTES

This diagram is not to scale.
Measurements are in mm
unless otherwise indicated.

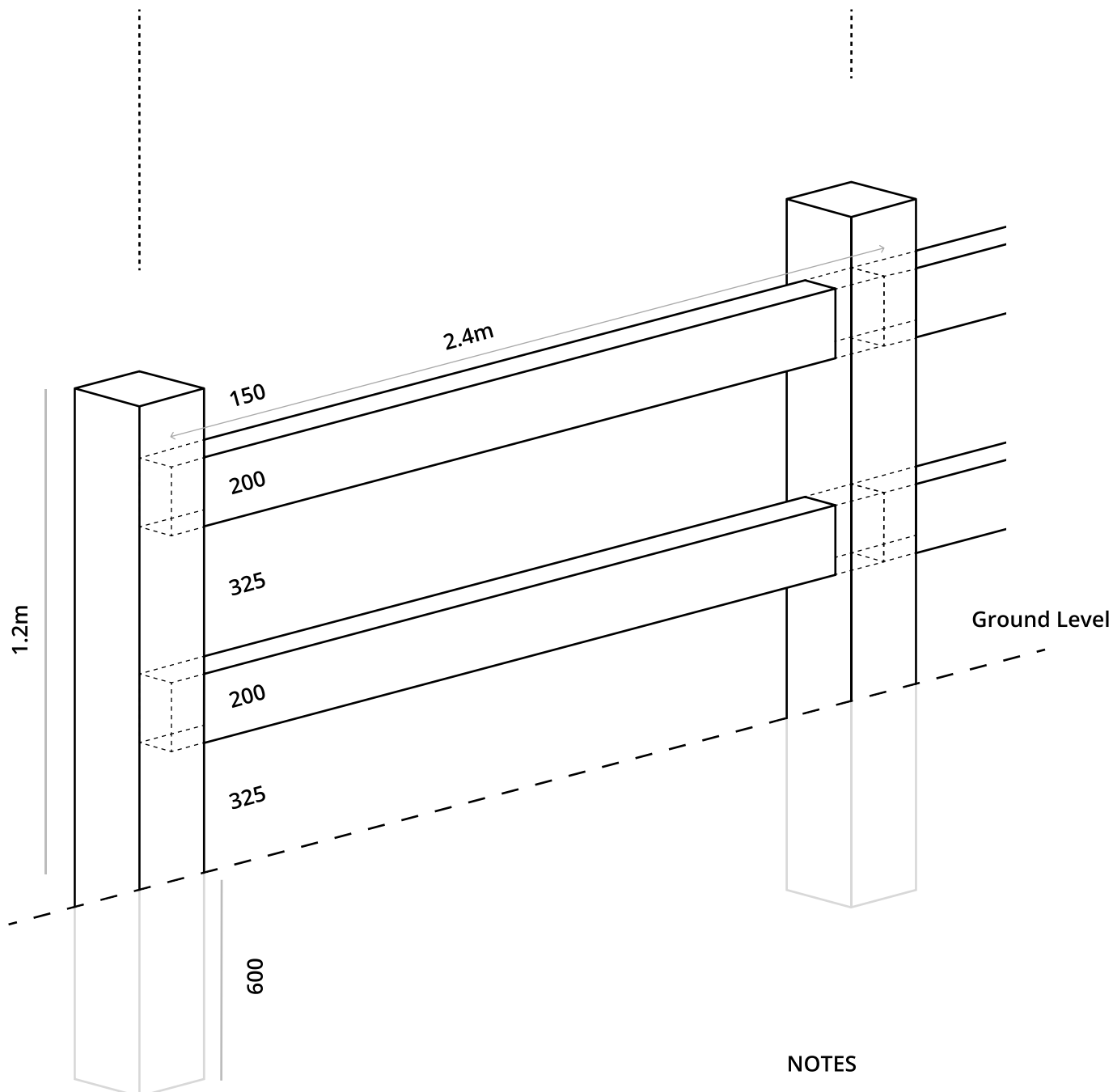
Gate posts supplied at 2.2m,
1m in ground.

"STREET APPEAL"

2 RAIL with 200 X 50 RAILS

End and corner posts
200 x 200 x 1.8m

Intermediate posts
200 x 150 x 1.8m



NOTES

This diagram is not to scale.
Measurements are in mm
unless otherwise indicated.

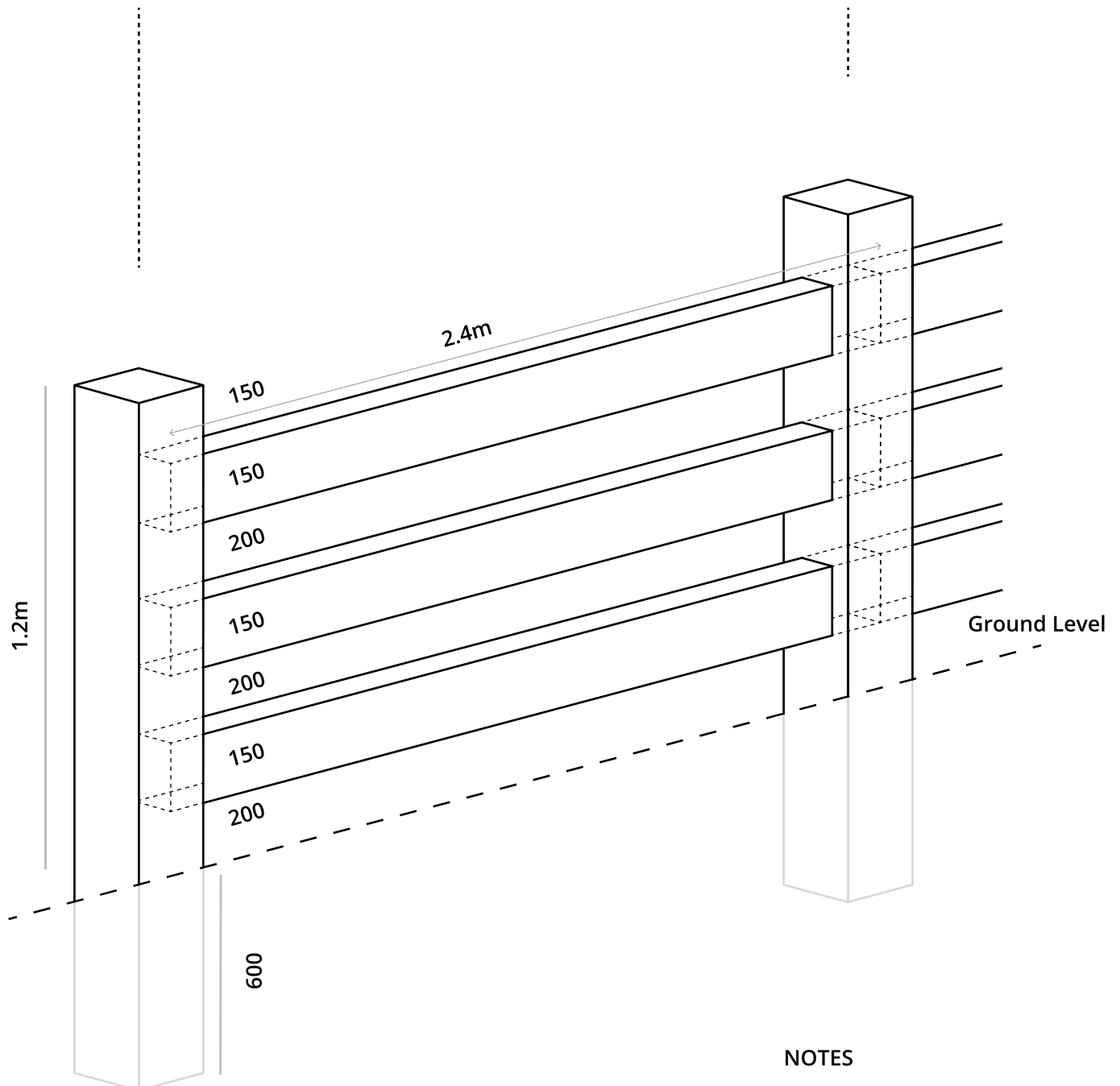
Gate posts supplied at 2.2m,
1m in ground.

"STREET APPEAL"

3 RAIL with 150 X 50 RAILS

End and corner posts
200 x 200 x 1.8m

Intermediate posts
200 x 150 x 1.8m



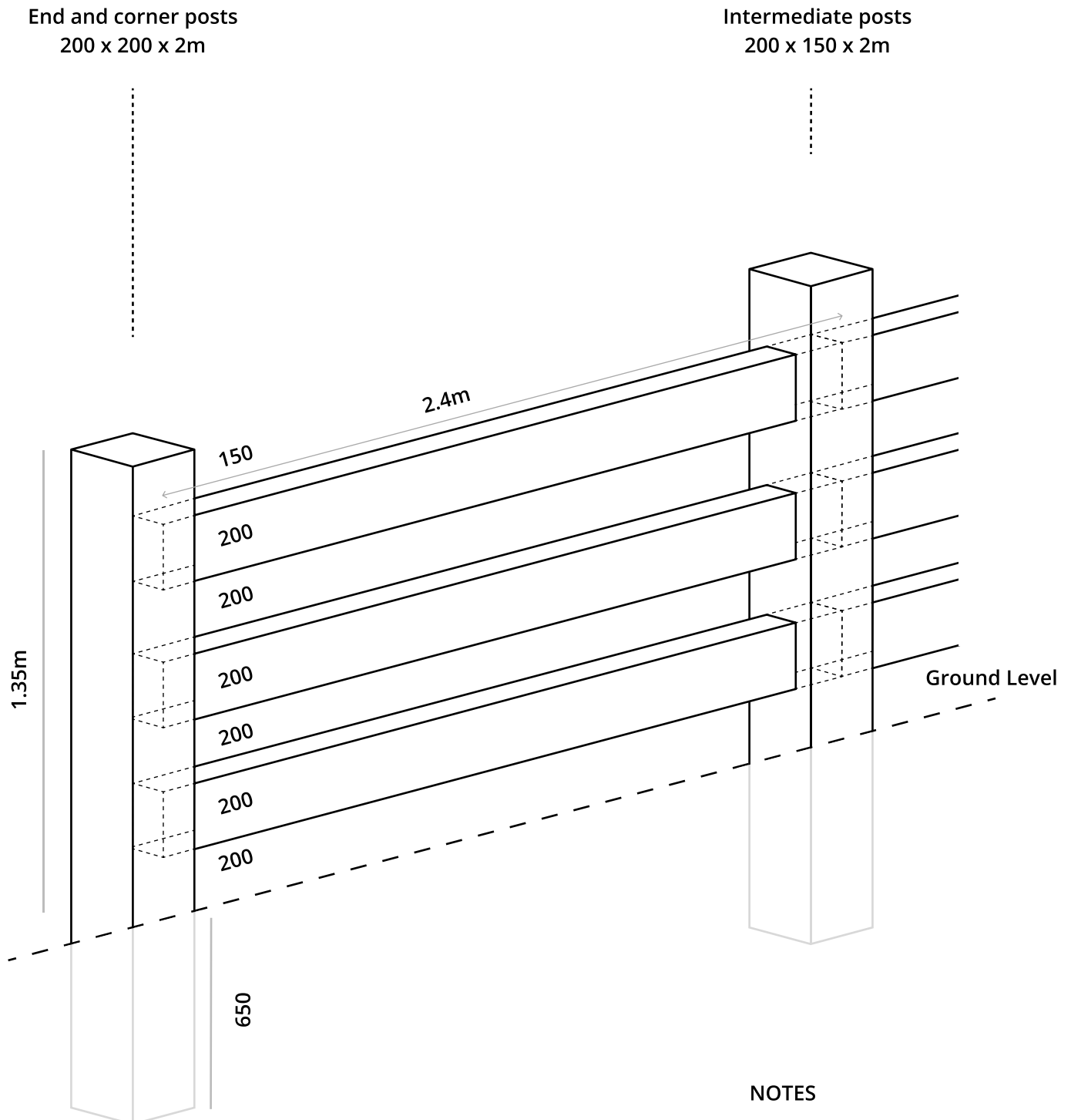
NOTES

This diagram is not to scale.
Measurements are in mm
unless otherwise indicated.

Gate posts supplied at 2.2m,
1m in ground.

"STREET APPEAL"

3 RAIL with 200 X 50 RAILS



NOTES

This diagram is not to scale.
Measurements are in mm
unless otherwise indicated.

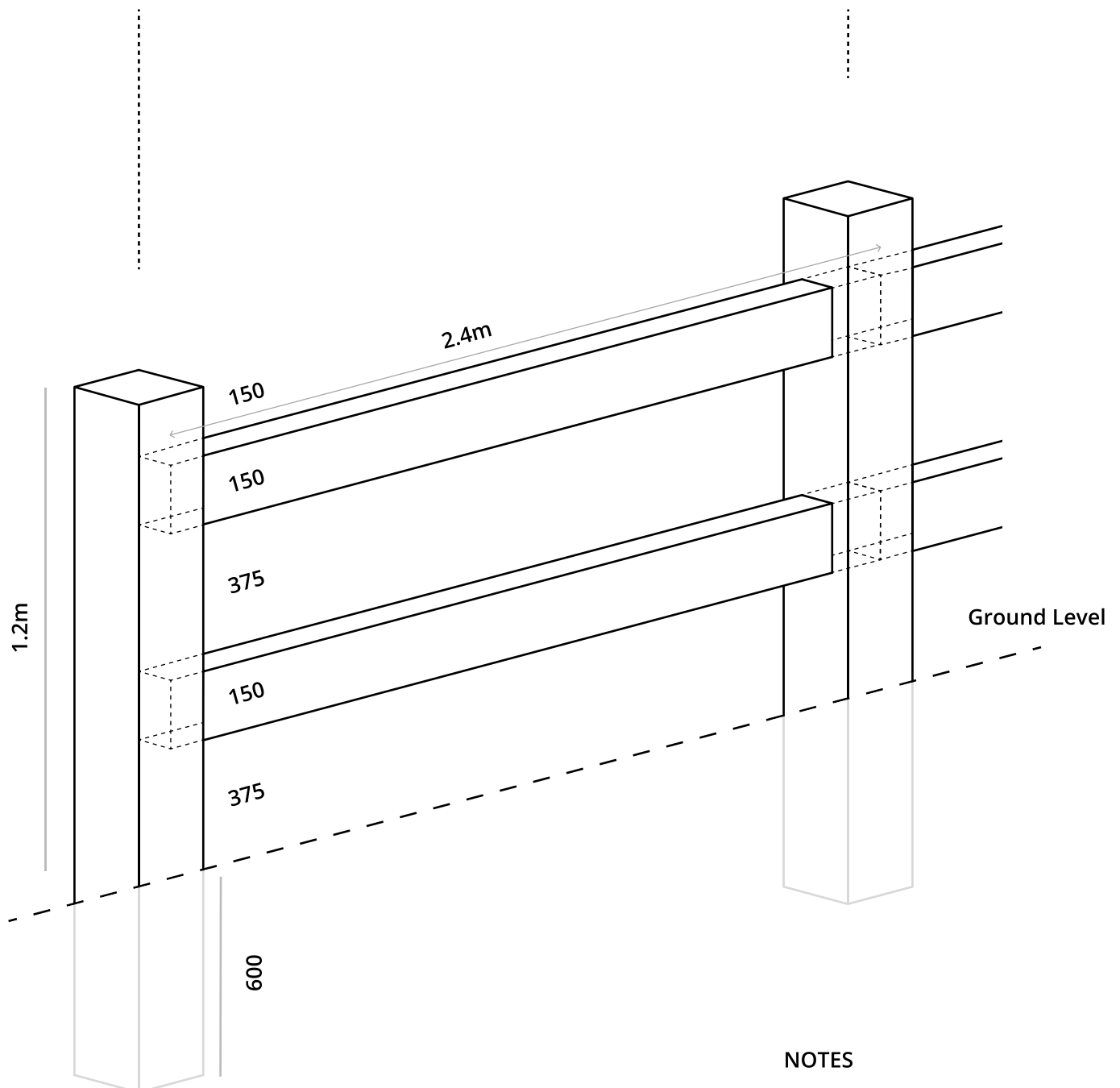
Gate posts supplied at 2.4m,
1.05m in ground.

**“GOOD LOOKING ROOSTER”
2 & 3 RAIL OPTIONS**

"GOOD LOOKING ROOSTER" 2 RAIL with 150 X 50 RAILS

End and corner posts
200 x 200 x 1.8m

Intermediate posts
200 x 200 x 1.8m

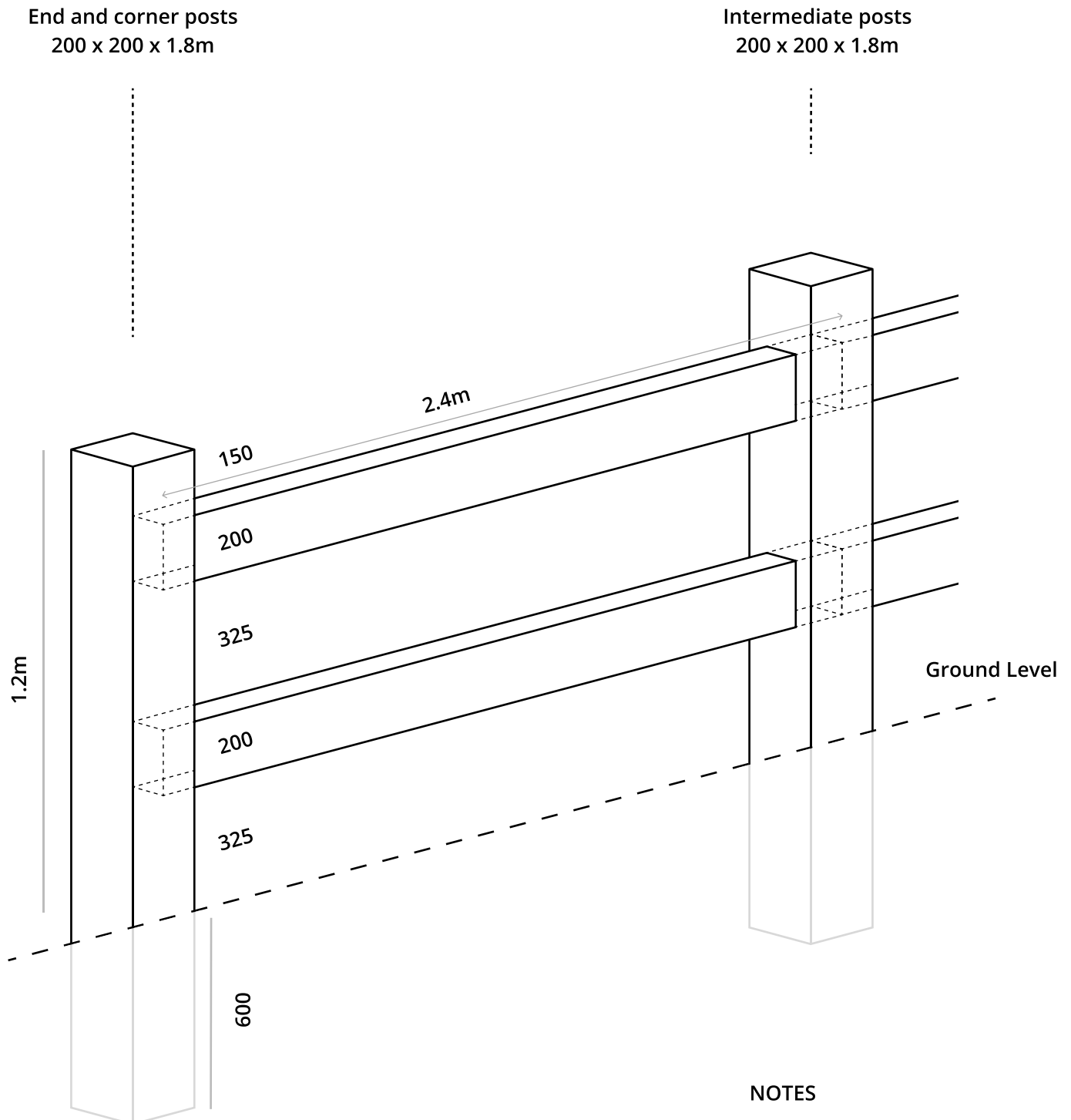


NOTES

This diagram is not to scale.
Measurements are in mm
unless otherwise indicated.

Gate posts supplied at 2.2m,
1m in ground.

"GOOD LOOKING ROOSTER" 2 RAIL with 200 X 50 RAILS



NOTES

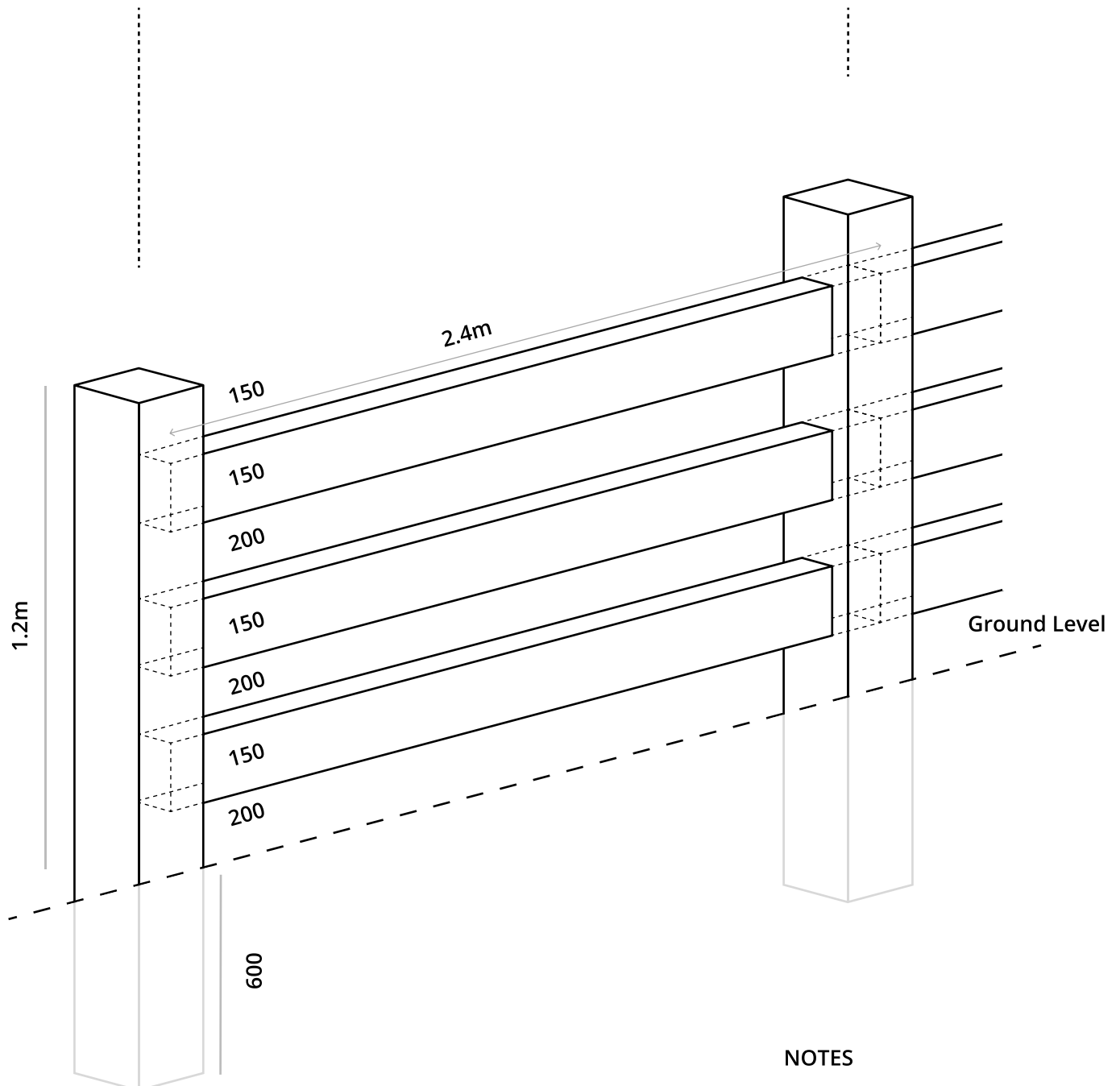
This diagram is not to scale.
Measurements are in mm
unless otherwise indicated.

Gate posts supplied at 2.2m,
1m in ground.

"GOOD LOOKING ROOSTER" 3 RAIL with 150 X 50 RAILS

End and corner posts
200 x 200 x 1.8m

Intermediate posts
200 x 200 x 1.8m

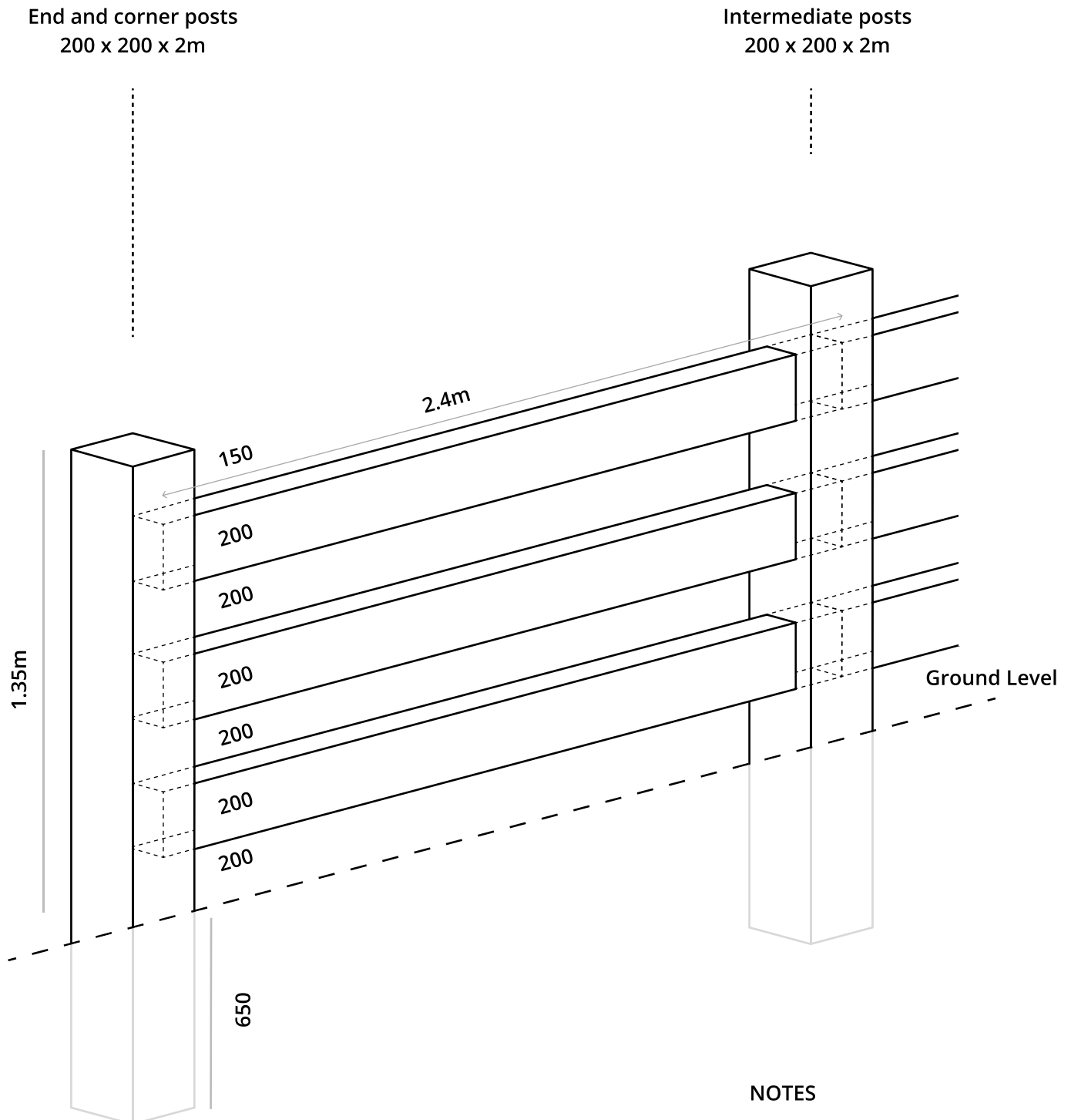


NOTES

This diagram is not to scale.
Measurements are in mm
unless otherwise indicated.

Gate posts supplied at 2.2m,
1m in ground.

"GOOD LOOKING ROOSTER" 3 RAIL with 200 X 50 RAILS



NOTES

This diagram is not to scale.
Measurements are in mm
unless otherwise indicated.

Gate posts supplied at 2.4m,
1.05m in ground.

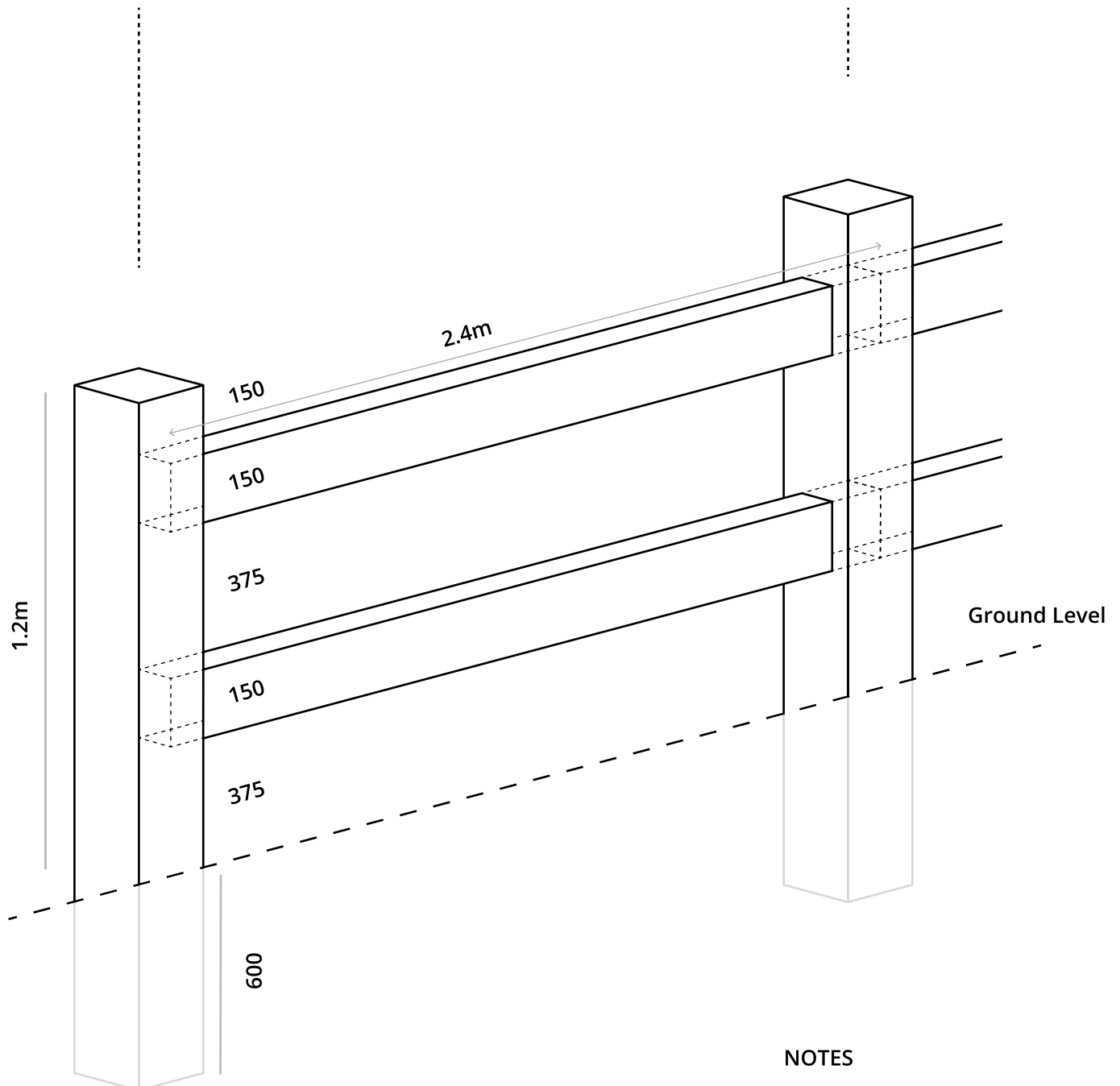
**"COUNTRY CHARM"
2 & 3 RAIL OPTIONS**

"COUNTRY CHARM"

2 RAIL with 150 X 50 RAILS

End and corner posts
200 x 200 x 1.8m

Intermediate posts
150 x 150 x 1.8m



NOTES

This diagram is not to scale.
Measurements are in mm
unless otherwise indicated.

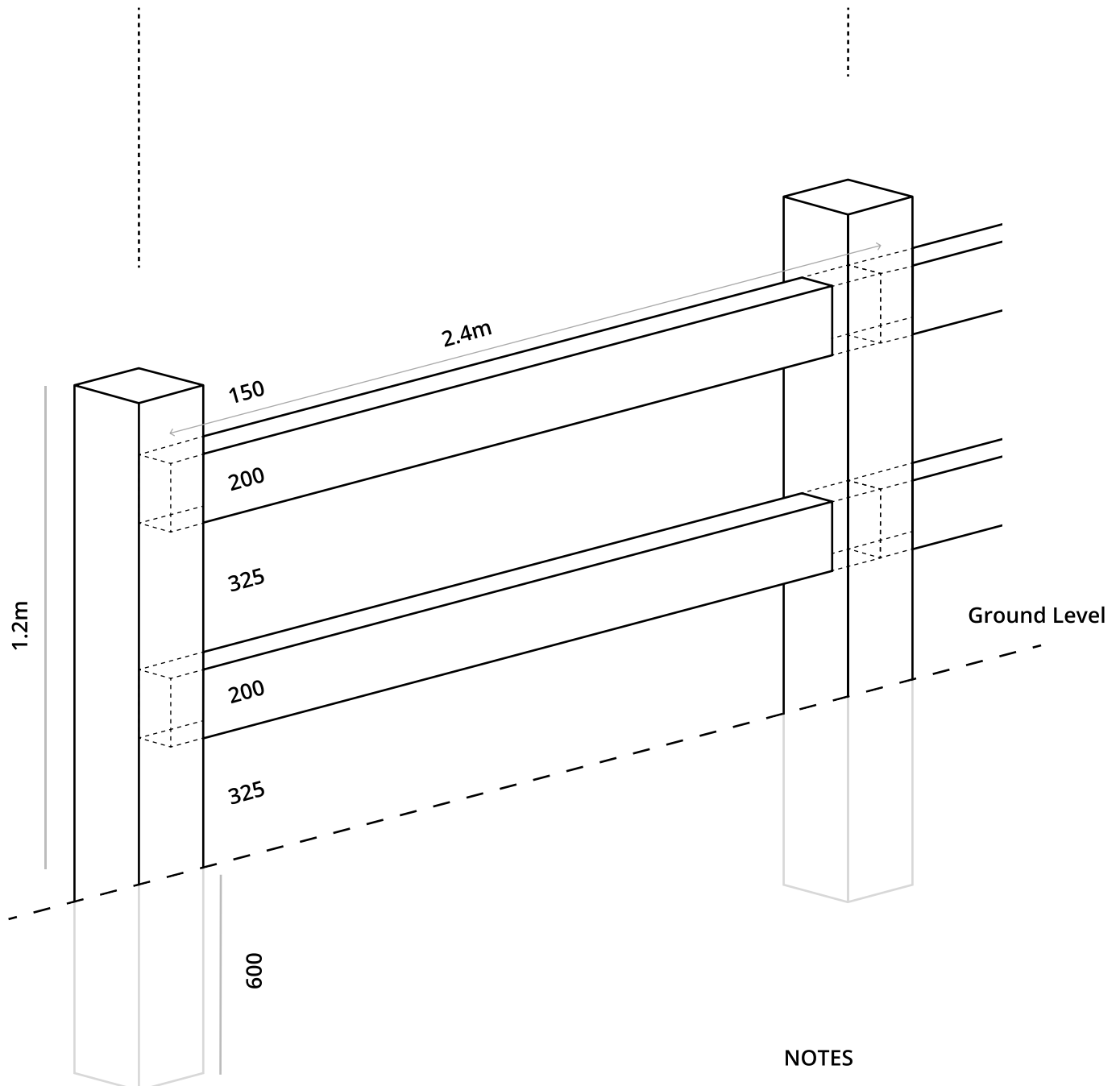
Gate posts supplied at 2.2m,
1m in ground.

"COUNTRY CHARM"

2 RAIL with 200 X 50 RAILS

End and corner posts
200 x 200 x 1.8m

Intermediate posts
150 x 150 x 1.8m



NOTES

This diagram is not to scale.
Measurements are in mm
unless otherwise indicated.

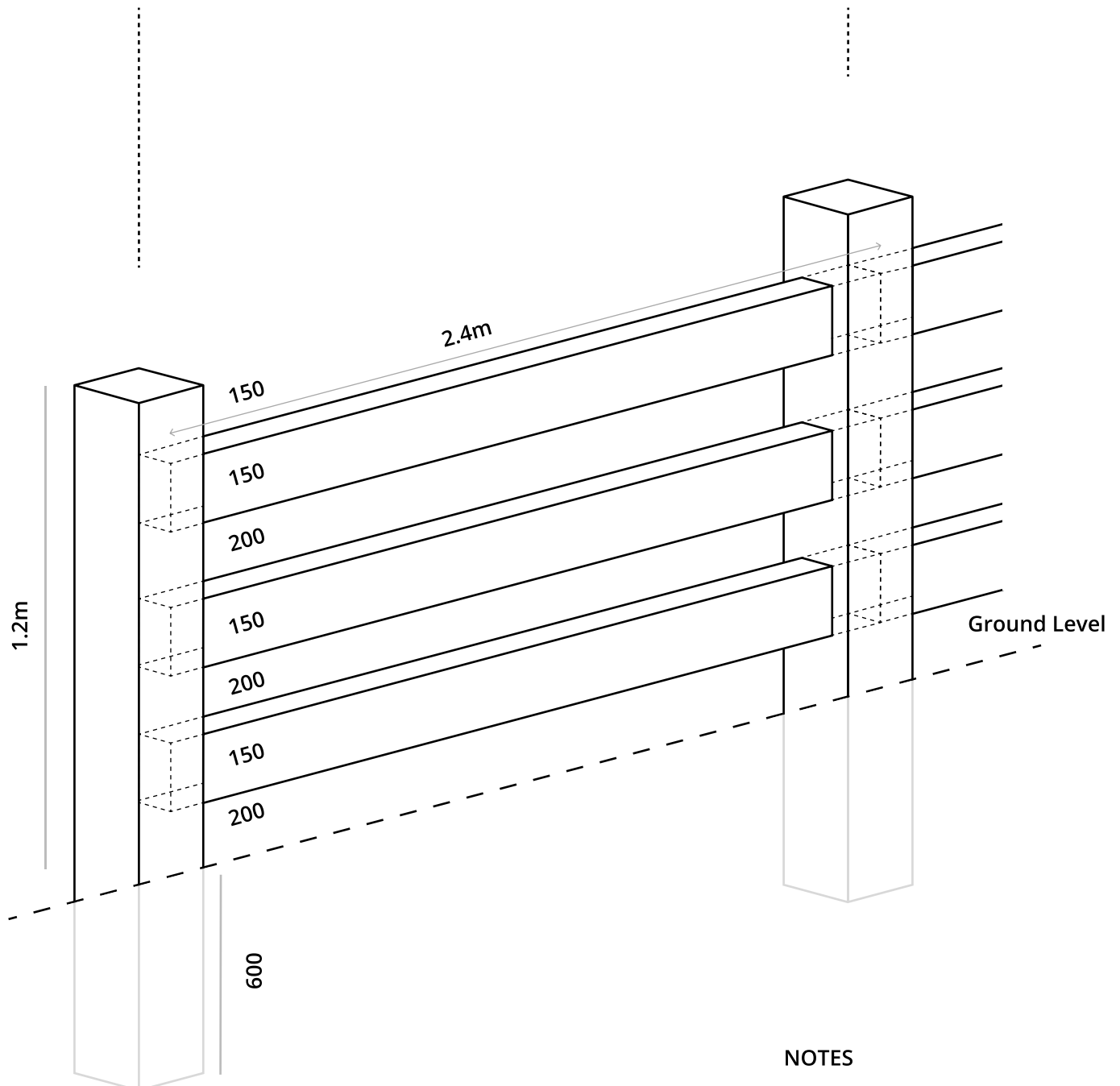
Gate posts supplied at 2.2m,
1m in ground.

"COUNTRY CHARM"

3 RAIL with 150 X 50 RAILS

End and corner posts
200 x 200 x 1.8m

Intermediate posts
150 x 150 x 1.8m



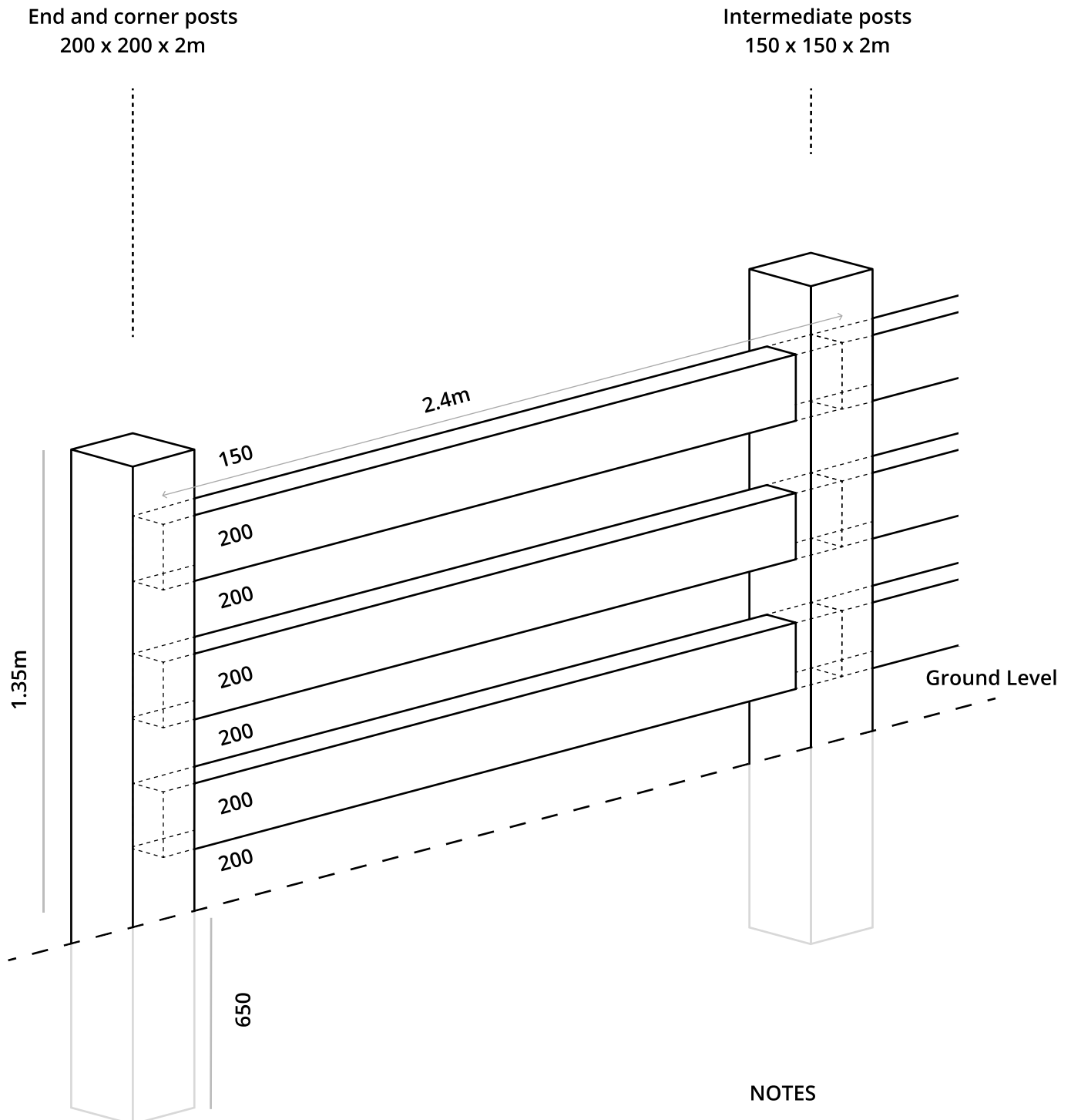
NOTES

This diagram is not to scale.
Measurements are in mm
unless otherwise indicated.

Gate posts supplied at 2.2m,
1m in ground.

"COUNTRY CHARM"

3 RAIL with 200 X 50 RAILS



NOTES

This diagram is not to scale.
Measurements are in mm
unless otherwise indicated.

Gate posts supplied at 2.4m,
1.05m in ground.

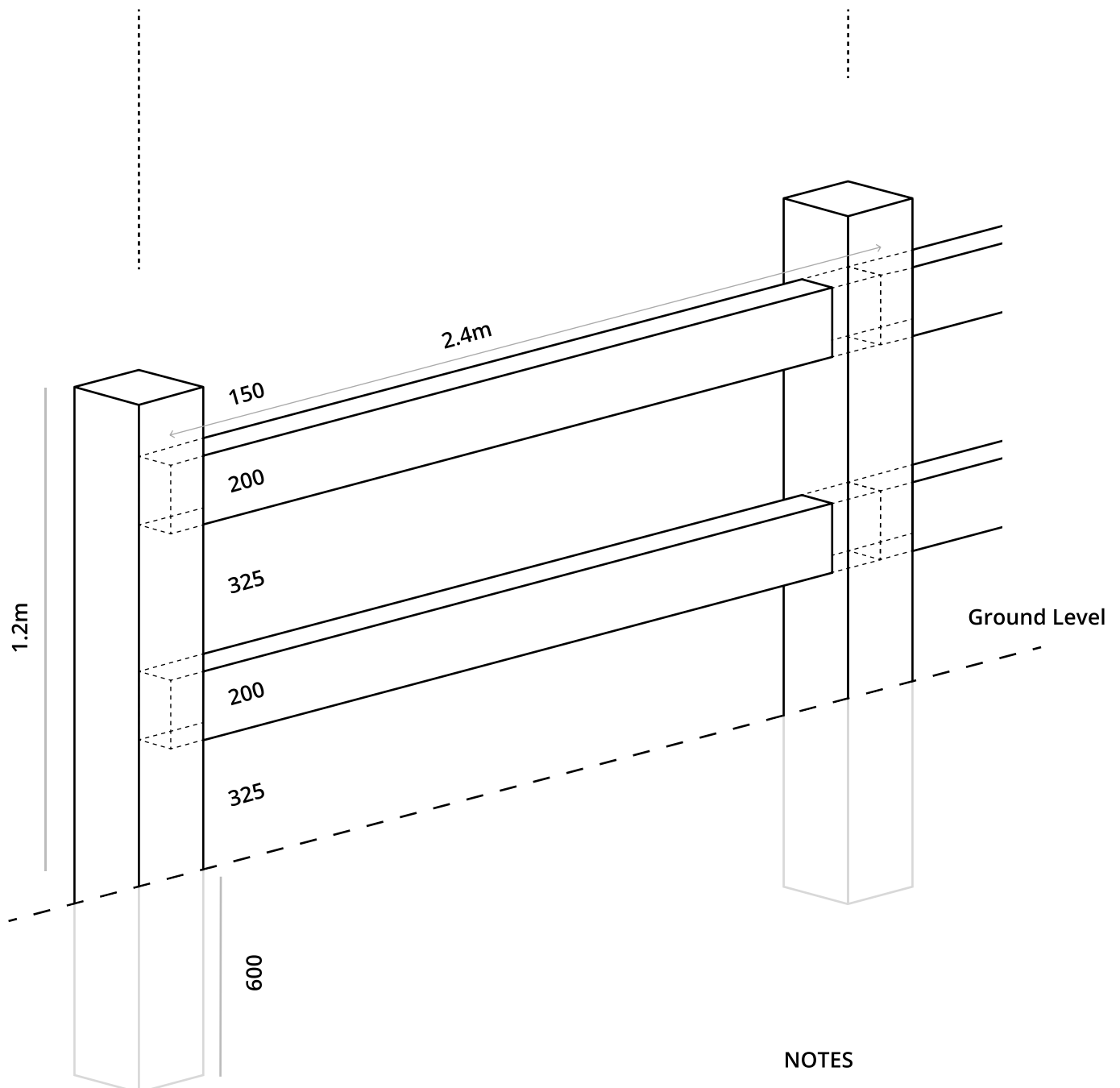
**“BEAST MODE”
2 & 3 RAIL OPTIONS**

"BEAST MODE"

2 RAIL

End and corner posts
250 x 250 x 1.8m

Intermediate posts
250 x 250 x 1.8m



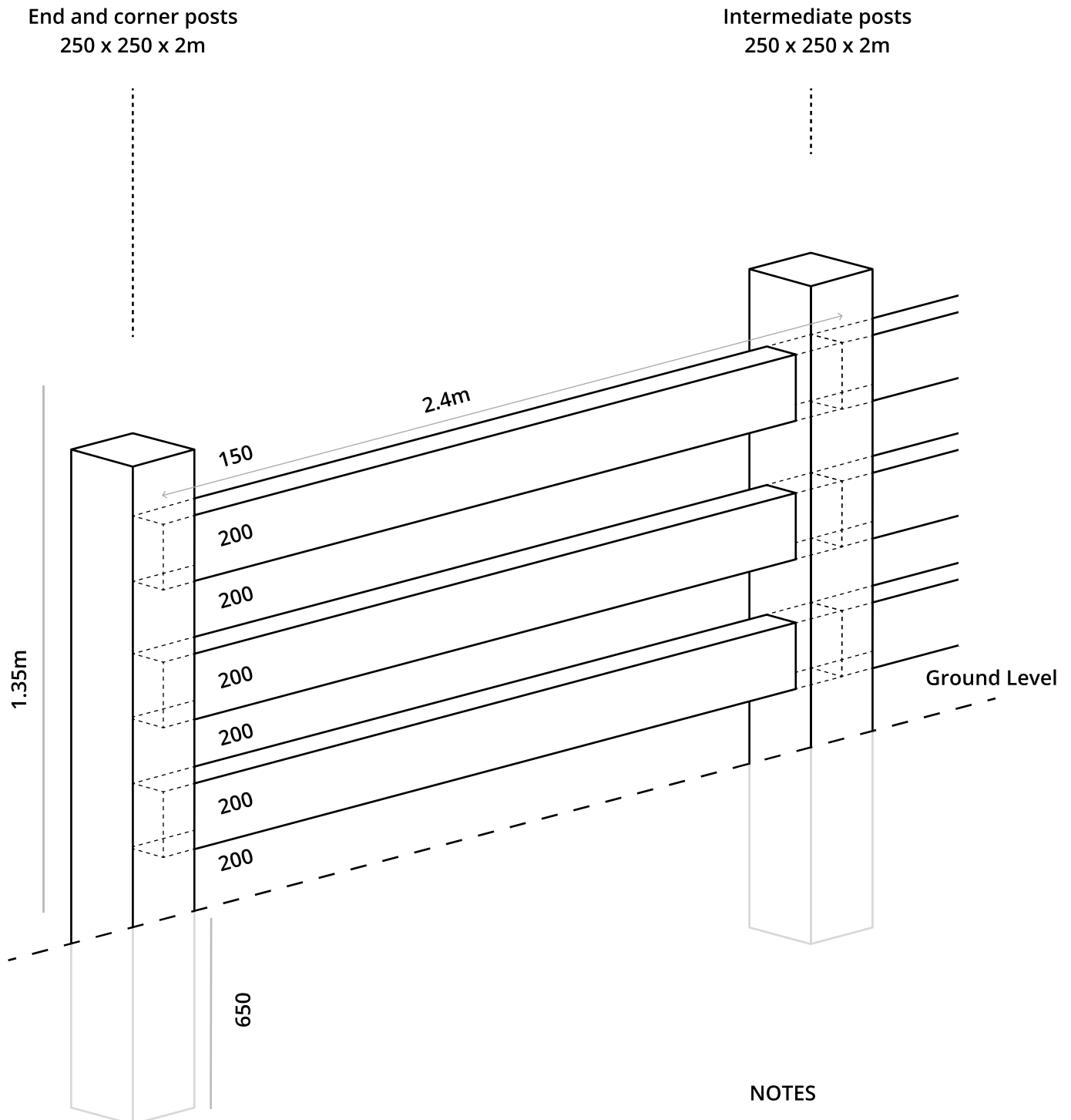
NOTES

This diagram is not to scale.
Measurements are in mm
unless otherwise indicated.

Gate posts supplied at 2.2m,
1m in ground.

"BEAST MODE"

3 RAIL



NOTES

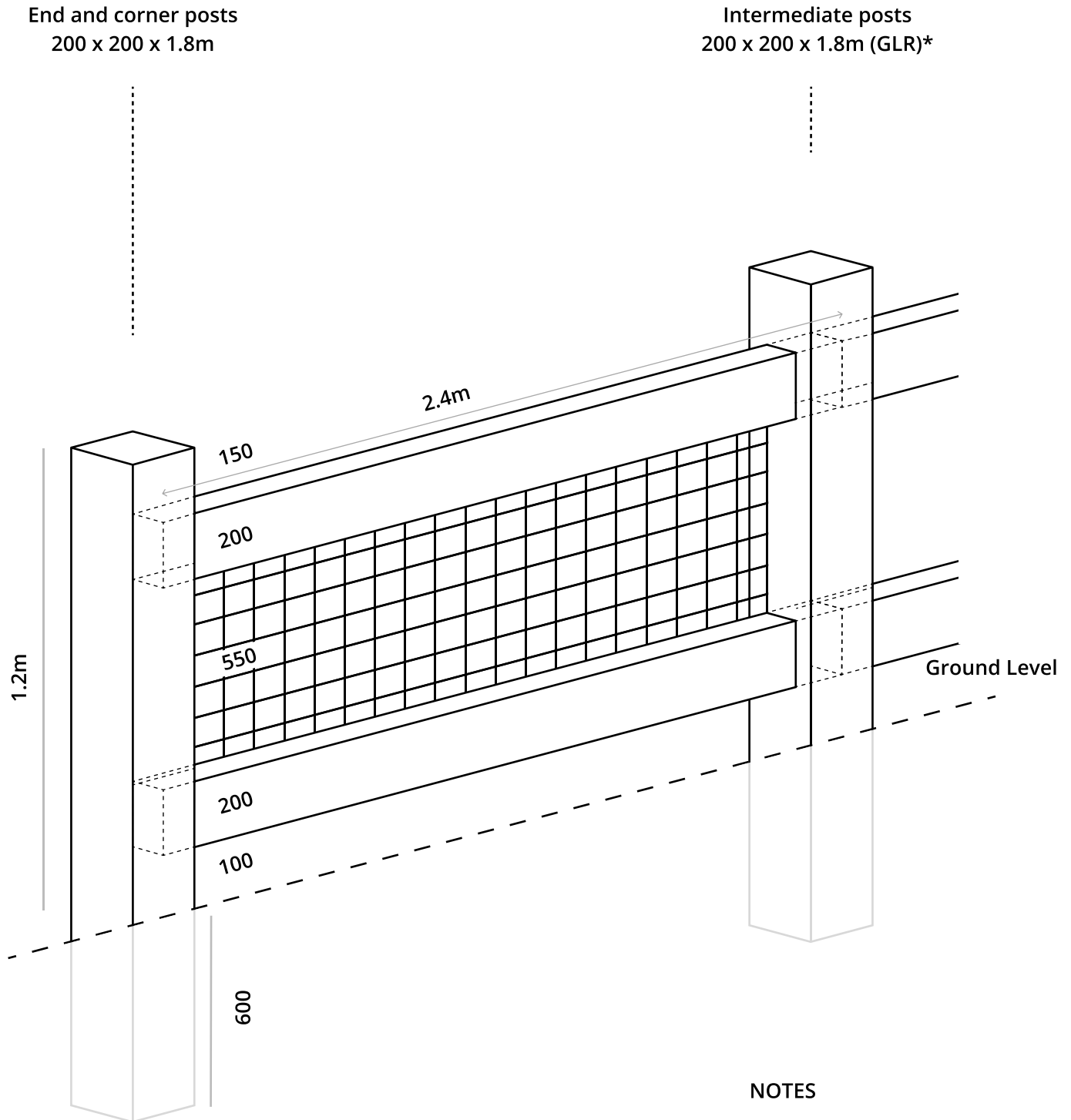
This diagram is not to scale.
Measurements are in mm
unless otherwise indicated.

Gate posts supplied at 2.4m,
1.05m in ground.

**“PET FRIENDLY”
2 RAIL OPTION**

"PET FRIENDLY"

2 RAIL with 200 X 50 RAILS



NOTES

This diagram is not to scale.
Measurements are in mm
unless otherwise indicated.

Gate posts supplied at 2.2m,
1m in ground.

* Intermediate post sizes

Good Looking Rooster 200 x 200 x 1.8m

Street Appeal 200 x 150 x 1.8m

Country Charm 150 x 150 x 1.8m